



US009247787B2

(12) **United States Patent**  
**Dering et al.**

(10) **Patent No.:** **US 9,247,787 B2**  
(45) **Date of Patent:** **Feb. 2, 2016**

(54) **CAMERA STRAP ATTACHMENT MECHANISM AND METHODS OF USE**

USPC ..... 24/591.1, 3.13, 265 BC, 265 EC, 301, 24/323, 90.1; 224/930, 908, 197, 255, 271  
See application file for complete search history.

(71) Applicant: **Peak Design, LLC**, San Francisco, CA (US)

(56) **References Cited**

(72) Inventors: **Peter Dering**, San Francisco, CA (US);  
**Art Viger**, San Francisco, CA (US);  
**Mike Holmberg**, San Francisco, CA (US)

U.S. PATENT DOCUMENTS

(73) Assignee: **Peak Design, LLC**, San Francisco, CA (US)

1,550,904	A *	8/1925	Jones et al.	24/323
1,562,521	A *	11/1925	Schlegel	105/354
5,150,504	A *	9/1992	Cohen	24/302
5,699,591	A *	12/1997	Kane	24/304
5,784,760	A *	7/1998	Leitzke et al.	24/3.13
6,718,600	B1 *	4/2004	Gillis	24/459
6,966,519	B2 *	11/2005	Salentine	A45F 5/004 224/162
7,000,291	B2 *	2/2006	Fuller	24/17 B
7,354,304	B2 *	4/2008	Livingston	A45F 5/00 439/501
D608,541	S *	1/2010	Myers	D3/215
D682,488	S *	5/2013	Kalbach	D30/152
2002/0170933	A1 *	11/2002	Martin	A45F 5/02 224/197
2003/0019895	A1 *	1/2003	Childers	A45F 5/02 224/251

(\* ) Notice: Subject to any disclaimer, the term of this patent is extended or adjusted under 35 U.S.C. 154(b) by 30 days.

(21) Appl. No.: **14/062,890**

(22) Filed: **Oct. 25, 2013**

(65) **Prior Publication Data**

US 2015/0113772 A1 Apr. 30, 2015

**Related U.S. Application Data**

(60) Provisional application No. 61/717,938, filed on Oct. 24, 2012.

(51) **Int. Cl.**  
**A45B 21/00** (2006.01)  
**A45F 5/00** (2006.01)  
**A44B 11/25** (2006.01)

(52) **U.S. Cl.**  
CPC . **A44B 11/25** (2013.01); **A45F 5/00** (2013.01);  
**A44B 11/2584** (2013.01); **A45F 2005/006**  
(2013.01); **A45F 2005/008** (2013.01); **A45F**  
**2200/0533** (2013.01); **Y10T 24/45225** (2015.01)

(58) **Field of Classification Search**  
CPC ..... **Y10T 24/1397**; **Y10T 24/4736**; **Y10T**  
**24/4745**; **Y10T 24/314**; **Y10T 24/316**; **Y10T**  
**24/3423**; **Y10T 24/36**; **G03B 17/566**; **A44B**  
**11/02**

(Continued)

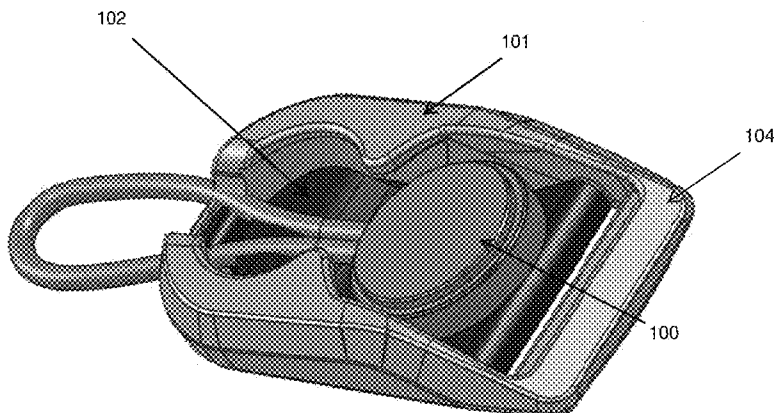
*Primary Examiner* — Victor Batson  
*Assistant Examiner* — Jason W San

(74) *Attorney, Agent, or Firm* — Adams Grumbles, LLP;  
Brittany Nanzig

(57) **ABSTRACT**

A male/female connection system is disclosed. The system is specifically designed as a novel way of attaching straps to cameras. The device includes a male attachment anchor with an overmolded loop, as well as a female housing inclusive of a spring to lock the male and the female together. The anchor connects to a camera at the neck strap loops using a cow hitch knot. The anchor connects to the housing by entering an open end, and being pulled through to an end where it is strapped. A strap connects to the housing by way of a loop being sewn around it.

**15 Claims, 5 Drawing Sheets**



(56)

**References Cited**

U.S. PATENT DOCUMENTS

2008/0263838	A1 *	10/2008	Shiue	24/698.1	2012/0311827	A1 *	12/2012	Wilson	24/304
2009/0074399	A1 *	3/2009	Su et al.	396/423	2013/0312232	A1 *	11/2013	Fujiwara	24/572.1
2010/0035666	A1 *	2/2010	Chang et al.	455/575.1	2013/0340210	A1 *	12/2013	Giordano	24/265 EC
2010/0054724	A1 *	3/2010	Chamberlayne	396/423	2014/0226962	A1 *	8/2014	Henry	396/423
2011/0290970	A1 *	12/2011	Fan	248/274.1	2014/0231482	A1 *	8/2014	Chamberlayne	224/623
					2014/0325795	A1 *	11/2014	Lin	24/3.13
					2015/0016813	A1 *	1/2015	Swaggart	396/423

\* cited by examiner

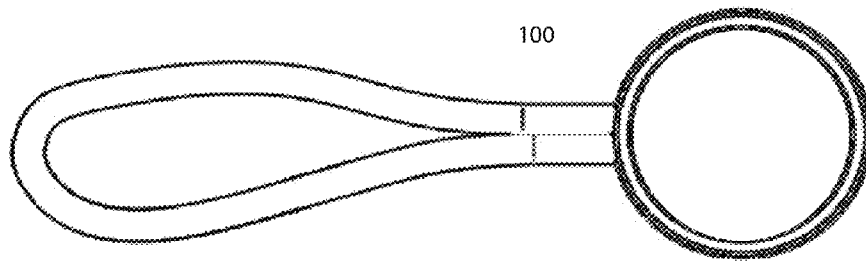


Figure 1

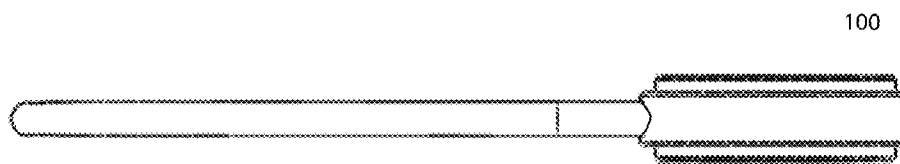


Figure 2

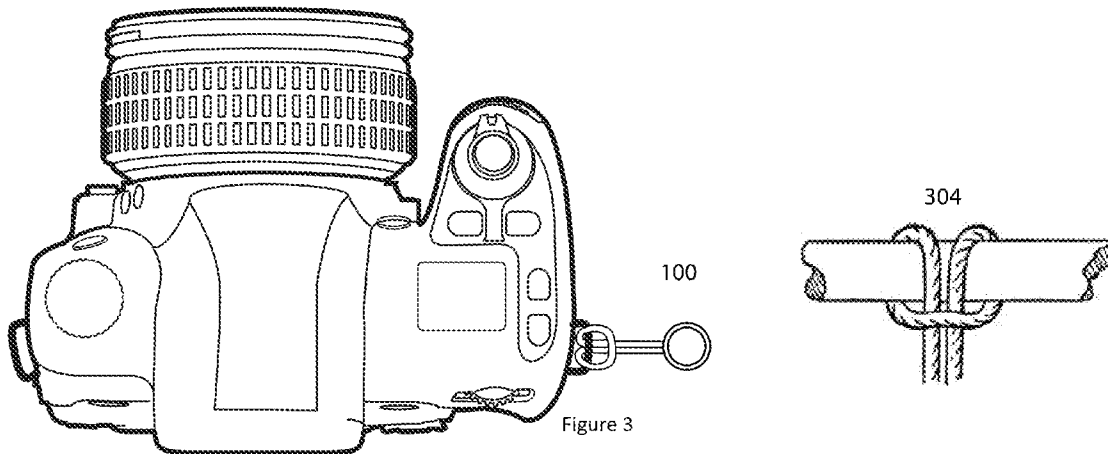


Figure 3

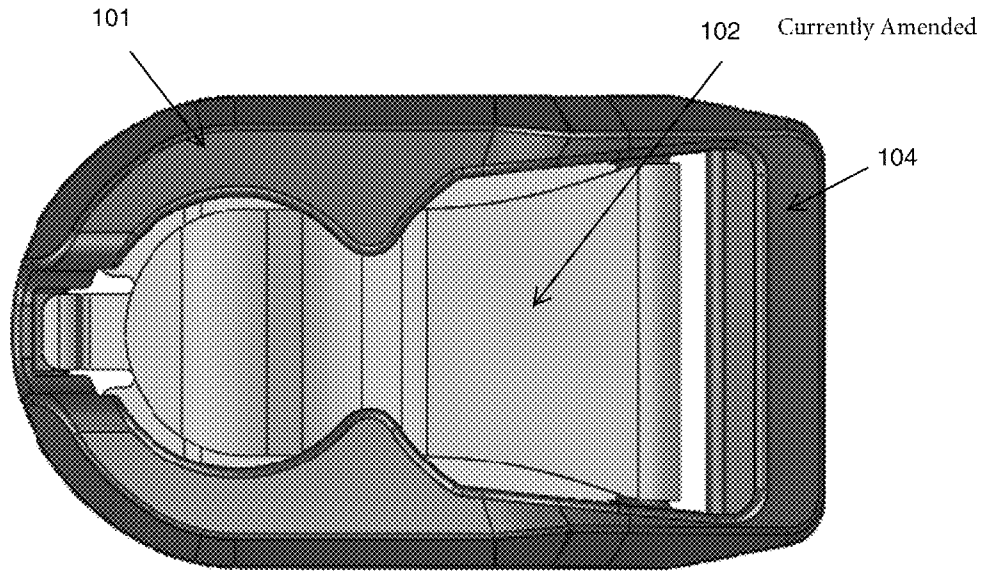


Figure 4

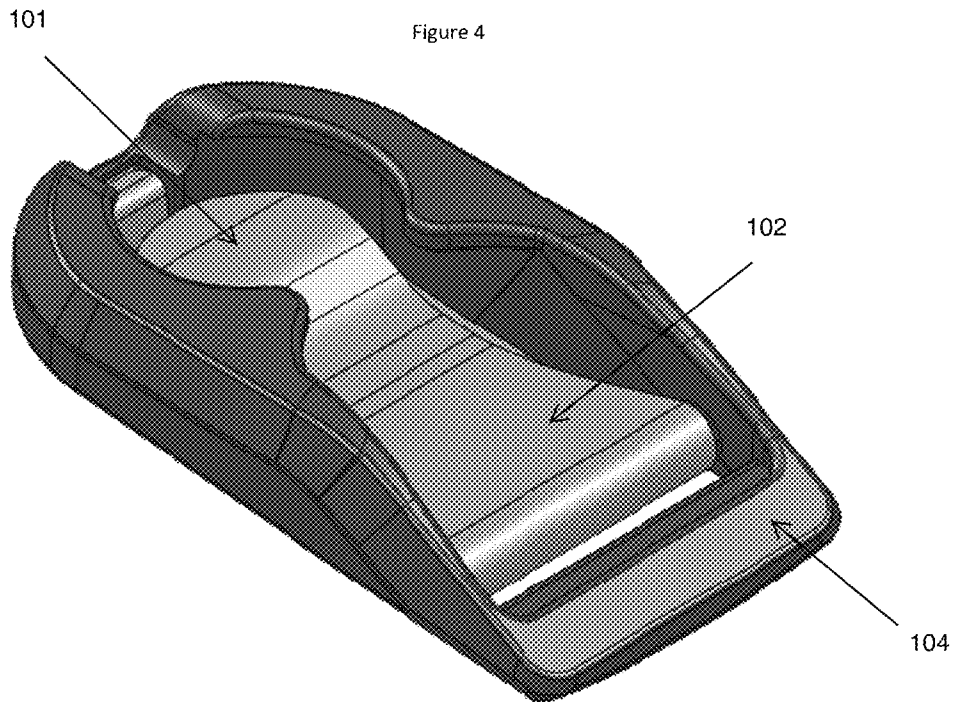
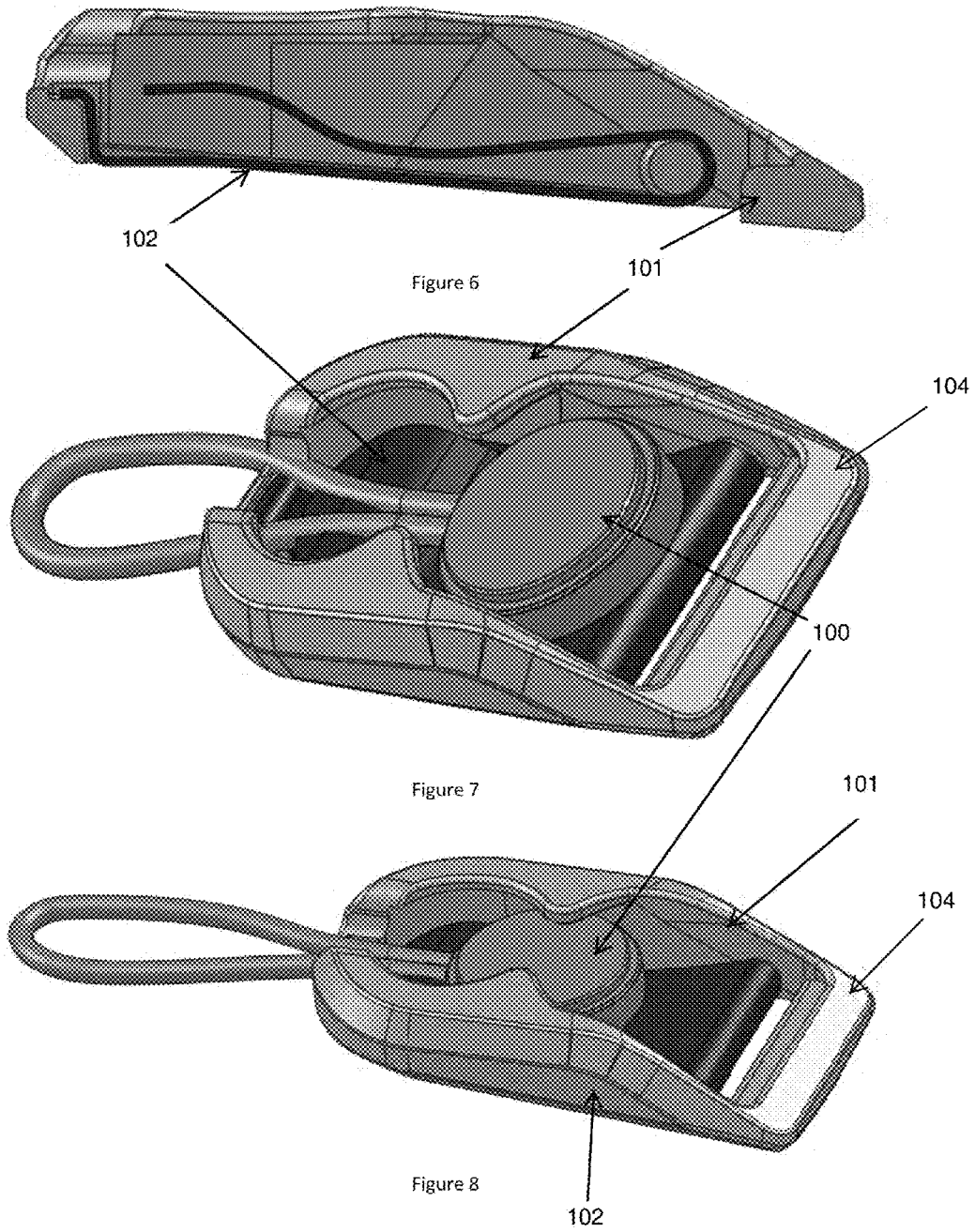


Figure 5



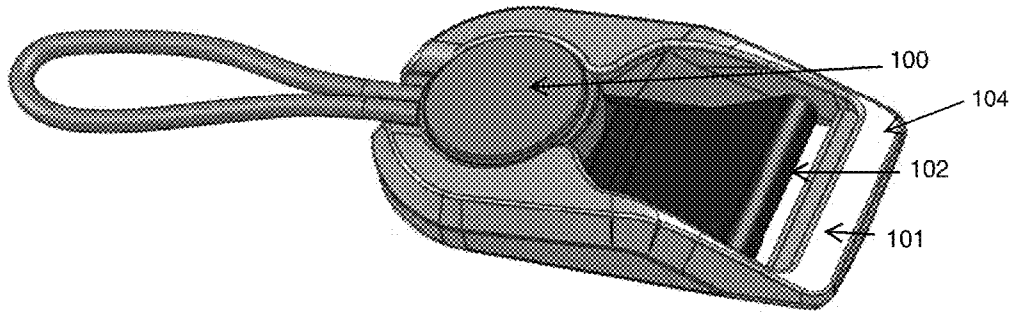


Figure 9

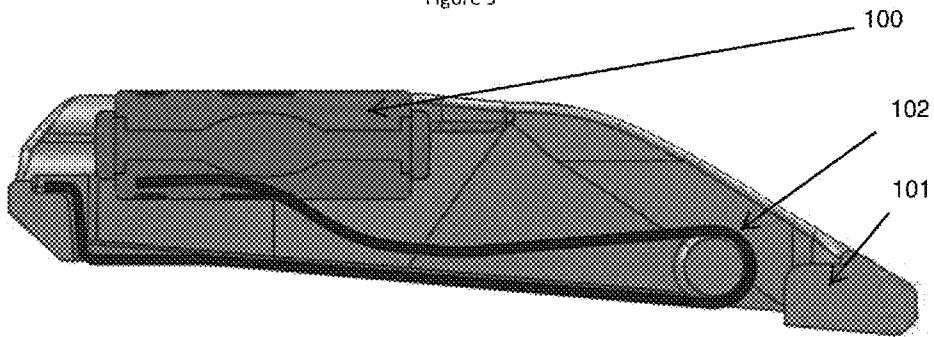


Figure 10

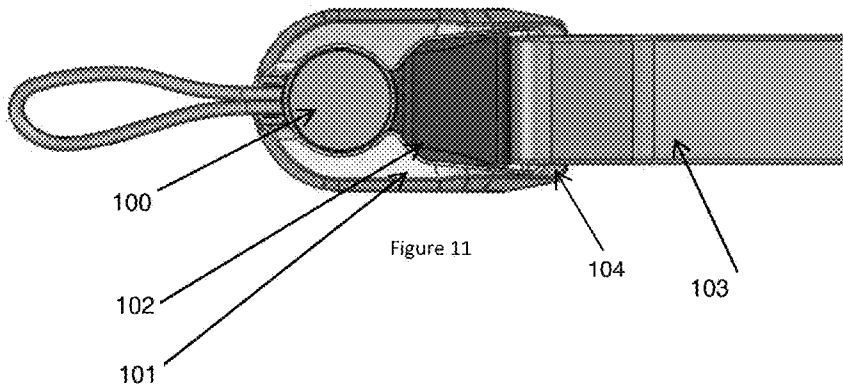


Figure 11

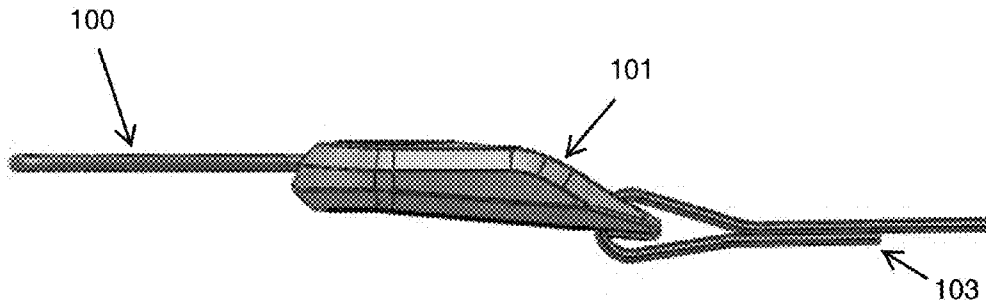


Figure 12

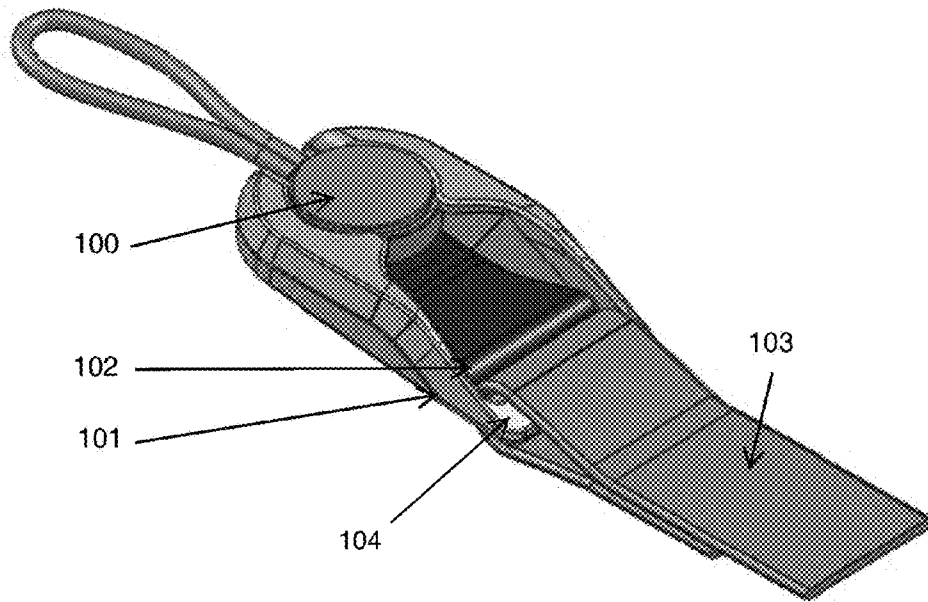


Figure 13

1

## CAMERA STRAP ATTACHMENT MECHANISM AND METHODS OF USE

### CROSS-REFERENCE TO RELATED APPLICATION

This application claims the benefit of U.S. Provisional Application No. 61/717,938 filed Oct. 24, 2012, titled CAMERA STRAP ATTACHMENT MECHANISM AND METHODS OF USE.

### TECHNICAL FIELD

The present application relates to a device and methods for securely attaching to a camera a length of webbing to be used as a strap. More generally, the present application refers to a male/female connection system with female housing and male attachment anchor that can be used to connect many things together.

### BACKGROUND

Camera straps are commonly attached to cameras using a system where webbing is doubled back on itself and run through a friction mechanism. This system is cumbersome and makes it difficult to attach or remove straps from cameras. Some types of photography are best done with a strap. Other types of photography are better accomplished without a strap. One method of providing a removable strap is to attach a short section of webbing using the friction mechanism, and then use a standard side release buckle. With this method, the main strap can be removed, and two sections of short webbing with a male buckle are left on the camera. The problem is that these short sections and male buckle are relatively bulky compared to the camera, cannot be removed easily, and the side release buckle can be accidentally released with too much tension. For these and other reasons, improvements are desirable.

### SUMMARY

In general terms, the present disclosure relates to a male/female connection system using a female housing and a male attachment anchor that is capable of connecting many things together and overcomes the existing issues associated with removable straps. Although the invention is described in connection with cameras, the mechanism and methods disclosed herein can also be use with other objects other than cameras.

One aspect of the invention is a male/female connection system comprising an anchor having larger and smaller diameters, the anchor including a cord that is overmolded into a plastic disc that has larger and smaller diameters; a housing that is able to receive the anchor, the housing containing a spring which locks the anchor into a specific place within the housing; and a housing that is capable of being attached to a section of webbing, or other object.

### BRIEF DESCRIPTION OF THE DRAWINGS

FIG. 1 is a top view of the male attachment anchor, according to one embodiment of the present disclosure;

FIG. 2 is a side elevation view of the male attachment anchor;

FIG. 3 is an isometric view of the male attachment anchor attached to a camera;

FIG. 4 is a top view of the female housing with spring, according to one embodiment of the present disclosure;

2

FIG. 5 is an isometric perspective view of the female housing with spring;

FIG. 6 is a section view of the female housing with spring;

FIG. 7 is an isometric view of the male attachment anchor as it is first inserted into the female housing with spring;

FIG. 8 is an isometric view of the male attachment anchor at the midpoint of being inserted into the female housing with spring;

FIG. 9 is an isometric view of the male attachment anchor fully inserted into and locked with the female housing with spring;

FIG. 10 is a section view of the male attachment anchor fully inserted into the female housing with spring;

FIG. 11 is a top view of the male attachment anchor, fully inserted into, and locked with, the female housing with spring, with a strap attached to the bar of the female housing, according to one possible embodiment of the present disclosure;

FIG. 12 is a side view of the male attachment anchor, fully inserted into, and locked with, the female housing with spring, with a strap attached to the bar of the female housing, according to one possible embodiment of the present disclosure; and

FIG. 13 is an isometric view of the male attachment anchor, fully inserted into, and locked with, the female housing with spring, with a strap attached to the bar of the female housing, according to one possible embodiment of the present disclosure.

### DETAILED DESCRIPTION

Various embodiments of the present invention will be described in detail with reference to the drawings, wherein like reference numerals represent like parts and assemblies throughout the several views. Reference to various embodiments does not limit the scope of the invention, which is limited only by the scope of the claims attached hereto. Additionally, any examples set forth in this specification are not intended to be limiting and merely set forth some of the many possible embodiments for the claimed invention.

In one embodiment, as illustrated in FIG. 1, a male attachment anchor **100** includes a section of high-strength synthetic cord, such as KEVLAR cord, that is overmolded (a process in which at least two materials are combined to produce a single object) by a plastic mechanism. The cord can be overmolded with a polymer and firmly held within the overmold. As shown in FIG. 1, the cord can form a loop, which can be of various lengths. The overmolded portion can also be various sizes. The overmolded shape is a symmetrical disk with a lip on top and bottom of smaller radius than the rest of the body. FIG. 2 is a side view of the anchor **100**. This view shows the inner diameter and the outer diameter, which forms a lip. This lip can catch a corresponding shape on the female housing **102**, as illustrated in FIG. 9.

The male attachment anchor **100** is intended to be connected to, and remain connected to, the camera strap loops **103** of a camera, as well as the loops **103** that exist on some tripod quick release plates. As illustrated in FIG. 3, the male attachment anchor **100** can be connected by means of a “cow hitch” or a “lanyard hitch” attachment **304**. FIG. 3 illustrates one possible embodiment, wherein the anchor **100** can be attached to the camera. There are many possible embodiments of this attachment point: any closed loop or perpendicular cord, rope, or string is a possible attachment point. In FIG. 3, the anchor **100** is attached to a camera strap loop using a cow-hitch knot **304**.



3

In one embodiment, the female housing **101** can consist of a plastic structure whereby one end of the structure is open to receive the male attachment anchor **100**, and the other end is mostly enclosed to trap the male attachment anchor **100**. The two ends can be connected by an open channel that the male attachment anchor **100** slides through. The bottom of the anchor **100** can include a spring **102**, which can be initially unloaded.

As the male attachment anchor **100** moves from the open end of the female housing **101** toward the enclosed end, the spring **102** is deformed. FIGS. **7** through **10** illustrate the various positions the male attachment anchor **100** moves through from the open end of the female housing **101** toward the enclosed end. FIG. **7** illustrates the anchor **100** at the open entrance of the housing **101**. FIG. **8** illustrates the anchor **100** as it is being pulled through the housing **101**, wherein the spring **102** is partially depressed to make room for the anchor **100** within the housing **101**. FIGS. **9** and **10** illustrate the anchor **100** at its final locked position within the housing **101**.

When the male attachment anchor **100** reaches its final position in the enclosed end of the housing **101**, it is moved up by the force of the spring **102** and into a receiving cavity in the housing **101**. The lip of the male attachment anchor **100** interacts with a corresponding lip on the housing **101**, which creates a lock. In this locked position, the spring **102** can be pressed against the bottom of the anchor **100**, as illustrated in FIG. **10**.

In one embodiment, the spring **102** can serve as the back of the female housing **101**, as illustrated in FIGS. **4** and **5**. As illustrated in FIG. **6** (a side view of the female housing), the spring **102** in the back of the female housing **101** can wrap about an axle of circular cross section in the female housing **101**.

In one embodiment, a method of releasing the male attachment anchor **100** from the female housing **101** is disclosed. When the mechanism is engaged, the male attachment anchor **100** has one face that is exposed to view, while all other parts of the anchor **100** remain entrapped. The male attachment anchor **100** is released when a user depresses this face against the force of the spring **102**. After depressing the anchor **100** past the corresponding lip in the housing **101**, the user can slide the male attachment anchor **100** out of the channel by moving it opposite the direction that it entered.

In one embodiment, one portion of the female housing **101** can be attached to a strap **103** or other material, as illustrated in FIGS. **11** through **13**. The portion of the housing **101** attached to the strap **103** can consist of a bar **104** made of plastic or another rigid material. Additionally, a piece of webbing can be sewn around the bar **104**, or looped around the bar **104**, and attached in a different fashion.

The invention claimed is:

**1.** A male/female system for secure attachment to a camera comprising:

an anchor comprising a solid disk affixed to a flexible cord;

and

a housing for the anchor comprising:

an open, back end;

an at least partially enclosed end having a top surface and at least a portion corresponding to the shape of the solid disk;

an open channel connecting the open, back end to the at least partially enclosed end; and

a base having a spring, the spring having a first end near the open, back end and a compressible second end near the at least partially enclosed end;

wherein:

4

the at least partially enclosed end and the base contain the solid disk;

the disk is comprised of a top lip and a body;

a diameter of the body is larger than a diameter of the top lip;

the top surface of the at least partially enclosed end comprises a lip ledge, the lip ledge of the at least partially enclosed end having a diameter that is smaller than the diameter of the body of the disk and larger than the diameter of the top lip of the disk;

the spring releasably locks the solid disk inside the housing by pushing the top lip of the disk away from the base and toward the lip ledge of the at least partially enclosed end; and

wherein the top lip of the solid disk is fitted correspondingly to the lip ledge.

**2.** The male/female system of claim **1**, wherein the solid disk is further comprised of a bottom lip.

**3.** The male/female system of claim **2**, wherein the diameter of the body is larger than a diameter of the bottom lip.

**4.** The male/female system of claim **3**, wherein the top lip and the bottom lip are symmetrical.

**5.** The male/female system of claim **1**, further comprising a bar located near the first end of the spring.

**6.** The male/female system of claim **5**, further comprising an adjustable strap attached to the bar.

**7.** The male/female system of claim **1**, wherein the solid disk is plastic.

**8.** The male/female system of claim **1**, wherein the cord is in the form of a loop.

**9.** The male/female system of claim **1**, further comprising two parallel, solid sides.

**10.** The male/female system of claim **1**, wherein the solid disk is rigid.

**11.** The male/female system of claim **1**, wherein the solid disk is permanently affixed to the flexible cord.

**12.** The male/female system of claim **1**, wherein the housing is plastic.

**13.** A male/female system for secure attachment to a camera comprising:

an anchor comprising a rigid, solid disk affixed to a flexible cord;

wherein the rigid, solid disk is comprised of a top lip, a body, and a bottom lip;

wherein a diameter of the body is larger than a diameter of the top lip and a diameter of the bottom lip; and

wherein the top lip and the bottom lip are symmetrical; and

a housing for the anchor comprising:

an open, back end;

a mostly enclosed end having a top surface comprising a lip ledge corresponding to the top lip of the rigid, solid disk;

an open channel connecting the open, back end to the mostly enclosed end;

a base having a spring, the spring having a first end near the open, back end and a compressible second end near the mostly enclosed end;

wherein the mostly enclosed end and the base contain the rigid, solid disk;

wherein the spring releasably locks the rigid, solid disk inside the housing by pushing the disk away from the base and toward the lip ledge of the mostly enclosed end; and

wherein the top lip of the rigid, solid disk is fitted correspondingly to the lip ledge.

14. The male/female system of claim 13, further comprising a bar located near the first end of the spring and an adjustable strap attached to the bar.

15. A male/female system for secure attachment to a camera comprising:

an anchor comprising a rigid, solid, plastic disk permanently affixed to a flexible cord that is in the form of a loop;

wherein the rigid, solid, plastic disk is comprised of a top lip, a body, and a bottom lip; wherein a diameter of the body is larger than a diameter of the top lip and a diameter of the bottom lip; and

wherein the top lip and the bottom lip are symmetrical; and

a plastic housing for the anchor comprising: an open, back end;

a mostly enclosed end having a lip ledge corresponding to the top lip of the rigid, solid, plastic disk;

an open channel connecting the open, back end to the mostly enclosed end;

a base having a spring and a bar, the spring having a first end near the open, back end and a compressible, second end near the mostly enclosed end, and the bar being located near the first end of the spring;

a strap attached to the bar; and two parallel, solid sides;

wherein the mostly enclosed end, the base, and the two parallel, solid sides contain the rigid, solid, plastic disk;

wherein the spring releasably locks the rigid, solid, plastic disk inside the housing; and

wherein the top lip of the rigid, solid disk is fitted correspondingly to the lip ledge.

\* \* \* \* \*

UNITED STATES PATENT AND TRADEMARK OFFICE  
**CERTIFICATE OF CORRECTION**

PATENT NO. : 9,247,787 B2  
APPLICATION NO. : 14/062890  
DATED : February 2, 2016  
INVENTOR(S) : Peter Dering

Page 1 of 1

It is certified that error appears in the above-identified patent and that said Letters Patent is hereby corrected as shown below:

In the specification:

Column 1, line 9 should read as follows:

--...can also be used with other...--

Column 1, line 54 should read as follows:

--...spring, which locks the anchor...--

Column 2, lines 54-55 should read as follows:

--...female housing 101, as illustrated in FIG. 9.--

Column 3, lines 6-7 should read as follows:

--...bottom of the female housing 101 can include...--

Signed and Sealed this  
Tenth Day of May, 2016



Michelle K. Lee

*Director of the United States Patent and Trademark Office*