



US00D788205S

(12) **United States Design Patent**  
**Jankura et al.**

(10) **Patent No.:** **US D788,205 S**

(45) **Date of Patent:** **\*\* May 30, 2017**

(54) **CAMERA LENS CLIP**

FOREIGN PATENT DOCUMENTS

(71) Applicant: **Peak Design, LLC**, San Francisco, CA (US)

WO 2014157859 A1 10/2014

(72) Inventors: **Robb Jankura**, San Francisco, CA (US); **Art Viger**, San Francisco, CA (US); **Joseph Dylan Cunningham**, San Francisco, CA (US); **Peter Dering**, San Francisco, CA (US); **Peter Lockett**, San Francisco, CA (US)

OTHER PUBLICATIONS

Aputure DEC LensRegain Adapter for Canon EF Mount Lenses to MFT Mount. [online] Published date unknown. Retrieved on Jan. 17, 2017 from <URL: [https://www.bhphotovideo.com/c/product/1251088-REG/aputure\\_declr\\_mft\\_dec\\_lensregain\\_for\\_mft.html?gclid=CO\\_9-7roydECFYIWDQodU5IBfg&c3api=0272%2C171804692538&ap=y](https://www.bhphotovideo.com/c/product/1251088-REG/aputure_declr_mft_dec_lensregain_for_mft.html?gclid=CO_9-7roydECFYIWDQodU5IBfg&c3api=0272%2C171804692538&ap=y)>.\*

(73) Assignee: **Peak Design, LLC**, San Francisco, CA (US)

(Continued)

(\*\*) Term: **15 Years**

*Primary Examiner* — Vy Koenig

*Assistant Examiner* — Omeed Agilee

(21) Appl. No.: **29/543,120**

(74) *Attorney, Agent, or Firm* — Adams Grumbles, LLP; Paul Feng; Brittany Nanzig

(22) Filed: **Oct. 21, 2015**

(51) **LOC (10) Cl.** ..... **16-05**

(57) **CLAIM**

(52) **U.S. Cl.**

The ornamental design for a camera lens clip, as shown and described.

USPC ..... **D16/237**

(58) **Field of Classification Search**

USPC ..... D16/134, 136, 200, 204, 208, 213–219, D16/235, 237–250; D14/203, 209, 217, D14/218, 224, 250–253, 345, 440, 449; D8/363, 373, 394  
CPC ..... G03B 17/02; G03B 17/04; G03B 17/14; G03B 21/20–21/2066; G03B 15/041–15/0436; G03B 17/56; F16M 11/32

See application file for complete search history.

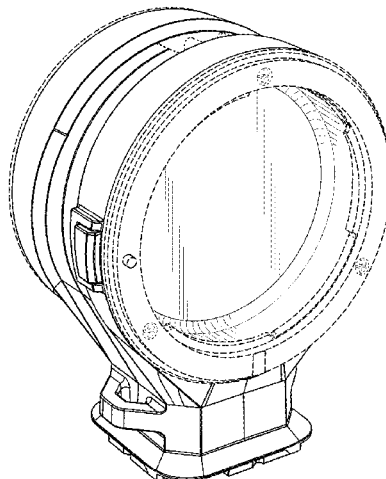
(56) **References Cited**

**U.S. PATENT DOCUMENTS**

1,971,434 A \* 8/1934 Trautmann ..... G02B 7/023 359/819  
D339,599 S \* 9/1993 Tiffen ..... D16/219  
5,862,428 A \* 1/1999 An ..... G03B 17/12 359/889  
6,435,339 B1 \* 8/2002 Kroupa ..... A45C 11/005 206/38

(Continued)

**1 Claim, 3 Drawing Sheets**



(56)

**References Cited**

## U.S. PATENT DOCUMENTS

D529,065 S \* 9/2006 Watanabe ..... D16/134  
D546,863 S \* 7/2007 Ito ..... D16/134  
D565,621 S \* 4/2008 Yamane ..... D16/202  
8,029,199 B1 10/2011 Kimball  
D649,993 S \* 12/2011 Ding ..... D16/134  
D694,264 S \* 11/2013 Reinhardt ..... D10/46  
D719,605 S \* 12/2014 Dordick ..... D16/245  
D757,530 S \* 5/2016 Straney ..... D8/394

## OTHER PUBLICATIONS

CaptureLENS and Lens Kit by Peak Design. [online] Published date Aug. 27, 2015. Retrieved on Jan. 17, 2017 from <URL: <https://www.youtube.com/watch?v=uypx0kTRVEo>>.\*

GoWing USA, LLC; The Lens Flipper by GoWing; Website; Sep. 2014; <http://lensflipper.com>.

Quikdraw; Quikdraw Lens Management Systems; Website; Aug. 2012; <http://www.quikdraw.com>.

Joe Turic; Simple Mod to "stack" Small Lenses in Your Camera Bag; Website; Dec. 8, 2014; <http://www.lessgearmorephotos.com/simple-mod-to-stack-small-lenses-in-your-camera-bag/>.

\* cited by examiner

FIG. 1

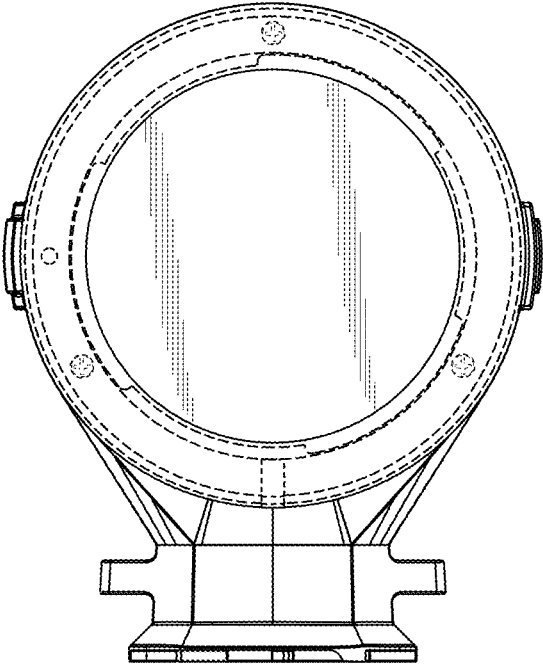


FIG. 2

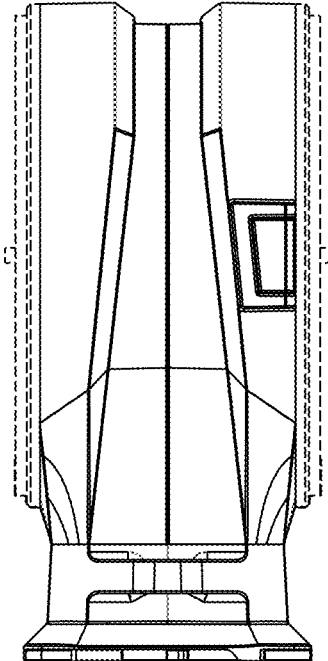


FIG. 3

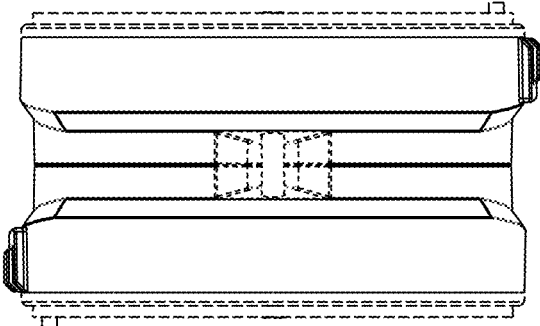


FIG. 4

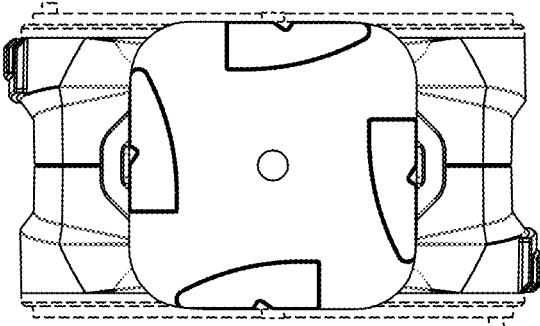


FIG. 5

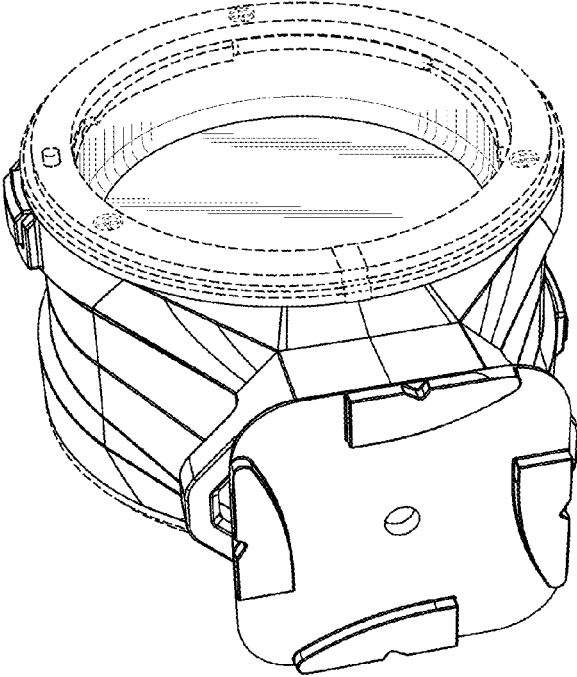


FIG. 6

