



US00D808157S

(12) **United States Design Patent**
Viger et al.

(10) **Patent No.:** **US D808,157 S**
(45) **Date of Patent:** **** Jan. 23, 2018**

- (54) **TOTE BAG**
- (71) Applicant: **Peak Design**, San Francisco, CA (US)
- (72) Inventors: **Arthur Viger**, San Francisco, CA (US);
Peter Dering, San Francisco, CA (US);
Robb Jankura, San Francisco, CA (US);
Joseph Cunningham, San Francisco, CA (US); **Peter Lockett**, San Francisco, CA (US)
- (73) Assignee: **Peak Design**, San Francisco, CA (US)
- (**) Term: **15 Years**
- (21) Appl. No.: **29/570,859**
- (22) Filed: **Jul. 12, 2016**
- (51) **LOC (11) Cl.** **03-01**
- (52) **U.S. Cl.**
USPC **D3/245**
- (58) **Field of Classification Search**
USPC D3/201, 205, 206, 226, 231-247, 258,
D3/273, 299, 301, 303, 318, 901, 903;
D12/409
CPC A45C 13/02; A45C 13/04; A45C 13/06;
A45C 13/08; A45C 13/26; A45C 1/024;
A45C 7/0077; A45C 3/04; A45C 3/06
See application file for complete search history.

D776,929 S * 1/2017 Noh D3/315
 9,604,757 B2 * 3/2017 Spivack B65D 31/12
 D785,325 S * 5/2017 Samrelius D3/246
 D789,081 S * 6/2017 Sassi D3/232
 2009/0026240 A1 * 1/2009 Wang A45C 3/06
 224/575

(Continued)

OTHER PUBLICATIONS

Kickstarter, The Everyday Backpack, Tote, and Sling, project created Jul. 12, 2016, [online], [site visited on Jul. 31, 2017]. Available from Internet, URL: <https://www.kickstarter.com/projects/peak-design/the-everyday-backpack-tote-and-sling>.*

(Continued)

Primary Examiner — Sheryl Lane

Assistant Examiner — Samantha N Wood

(74) *Attorney, Agent, or Firm* — Grumbles Law PLLC; Brittany Nanzig

(57) **CLAIM**

The ornamental design for a tote bag, as shown and described.

DESCRIPTION

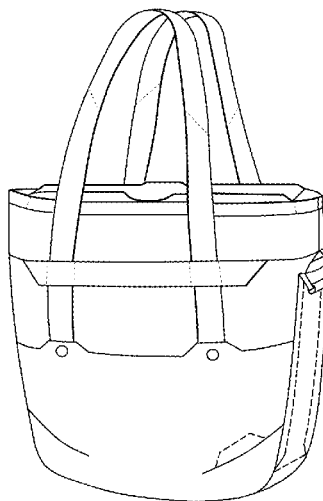
FIG. 1 is a front elevational view of a tote bag showing our new design.
 FIG. 2 is a back elevational view of the tote bag.
 FIG. 3 is a right side elevational view of the tote bag.
 FIG. 4 is a left side elevational view of the tote bag.
 FIG. 5 is a bottom plan view of the tote bag.
 FIG. 6 is a front perspective view of the tote bag.
 FIG. 7 is a back perspective view of the tote bag; and,
 FIG. 8 is a bottom perspective view of the tote bag.
 The lighter broken lines depict stitching and form part of the claimed design. The bolder broken lines in the drawings depict parts of the tote bag that form no part of the claimed design.

1 Claim, 3 Drawing Sheets

(56) **References Cited**

U.S. PATENT DOCUMENTS

D397,721 S *	9/1998	Guyor	D19/27
D447,866 S *	9/2001	Achache	D3/233
D456,991 S *	5/2002	Achache	D3/233
D539,033 S *	3/2007	Cassegrain	D3/246
D569,610 S *	5/2008	Wang	D3/246
D583,148 S *	12/2008	Stulman	D3/232
D583,552 S *	12/2008	Stulman	D3/232
D651,398 S *	1/2012	Gonzalez	D3/243
D701,041 S *	3/2014	Burnett	D3/245
D773,813 S *	12/2016	Jakubowski	D3/246



(56)

References Cited

U.S. PATENT DOCUMENTS

2015/0274372 A1* 10/2015 Zivan A45C 3/04
383/12
2017/0099920 A1* 4/2017 Bailey A45C 3/001

OTHER PUBLICATIONS

1 Kind Photography, Review: Peak Design The Everyday Tote Bag, posted on Oct. 7, 2016, [online], [site visited on Jul. 31, 2017]. Available from Internet, URL: <http://www.1kindphotography.com/2016/10/review-peak-design-everyday-tote-bag.html>.*

Actionhub, New Convenience, New Comfort Offered by Artisan & Artists's Tote Type Camera Bag, posted on Nov. 20, 2013, [online], [site visited on Jul. 31, 2017]. Available from Internet, URL: <http://www.actionhub.com/news/2013/11/20/new-convenience-new-comfort-offered-artisanartists-tote-type-camera-bag/>.*

Roberts Camera, Manfrotto Lifestyle Manhattan Charger—20 Camera Bag, customer review on Jul. 4, 2015, [online], [site visited on Jul. 31, 2017]. Available from Internet, URL: <http://robertscamera.com/lifestyle-manhattan-changer-20-3-way-camera-bag>.*

* cited by examiner

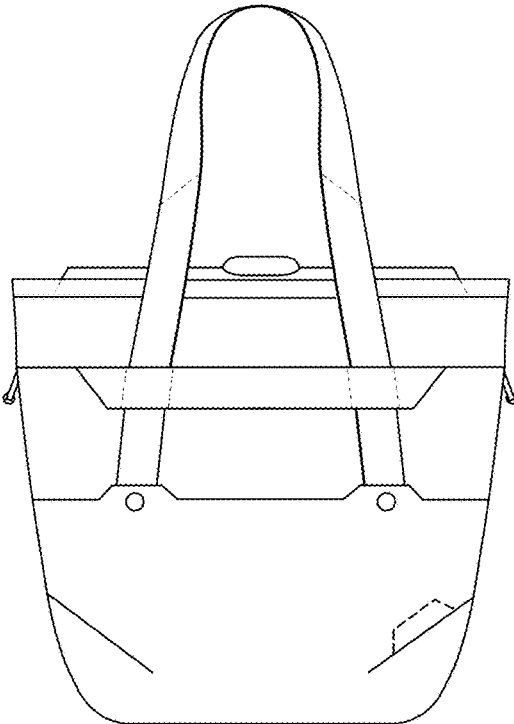


FIG. 1

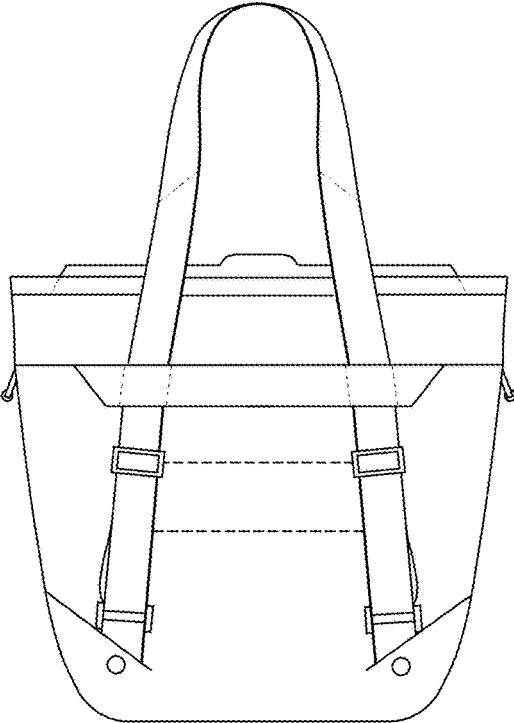


FIG. 2

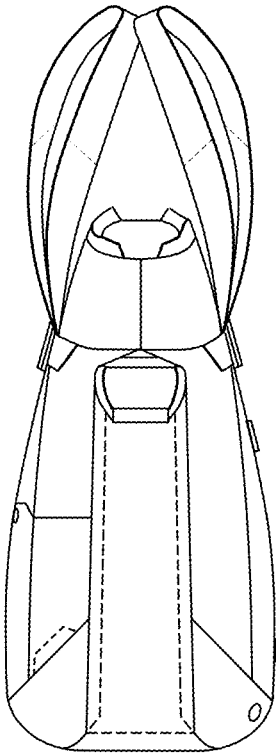


FIG. 3

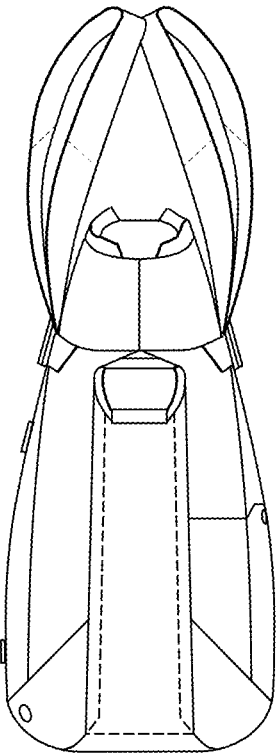


FIG. 4

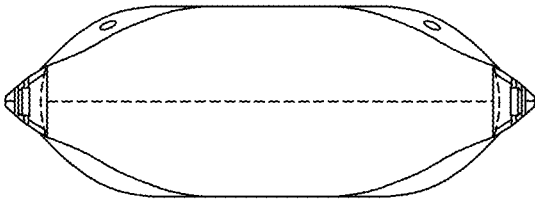


FIG. 5

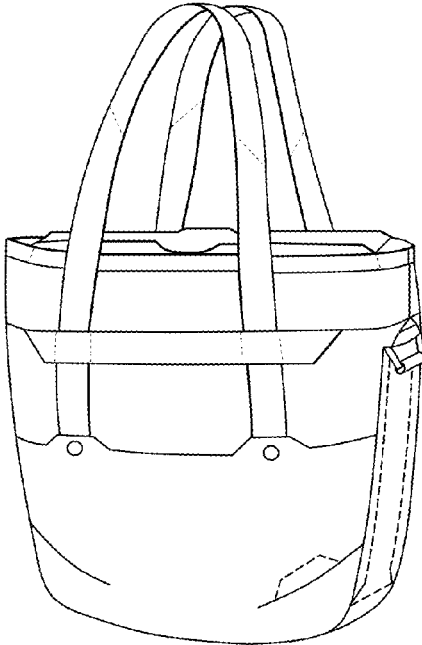


FIG. 6

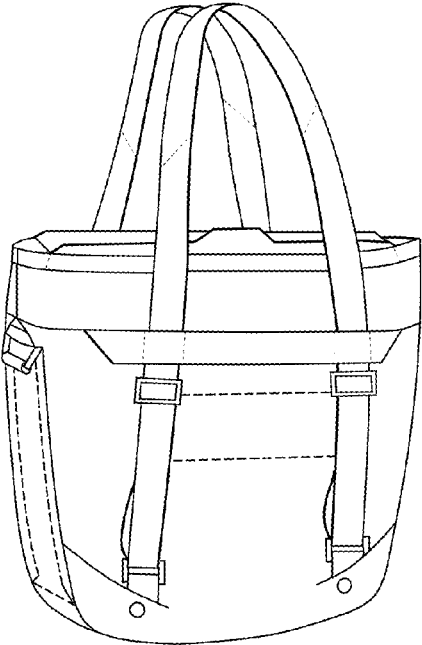


FIG. 7

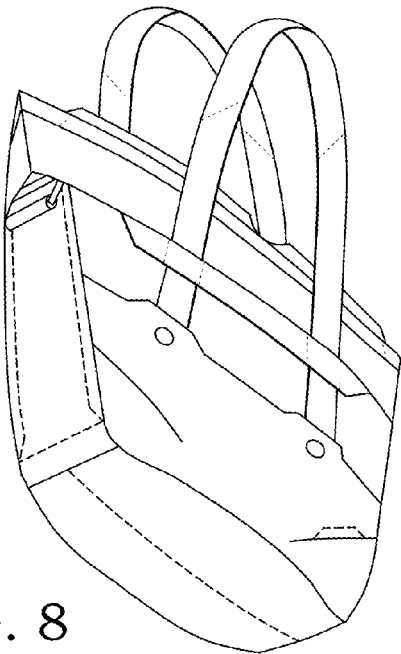


FIG. 8