



US00D829435S

(12) **United States Design Patent**  
**Viger et al.**

(10) **Patent No.:** **US D829,435 S**

(45) **Date of Patent:** **\*\* Oct. 2, 2018**

(54) **BACKPACK**

(71) Applicant: **Peak Design**, San Francisco, CA (US)

(72) Inventors: **Arthur Viger**, San Francisco, CA (US);  
**Peter Dering**, San Francisco, CA (US);  
**Robb Jankura**, San Francisco, CA (US);  
**Joseph Cunningham**, San Francisco, CA (US);  
**Peter Lockett**, San Francisco, CA (US)

(73) Assignee: **Peak Design**, San Francisco, CA (US)

(\*\*) Term: **15 Years**

(21) Appl. No.: **29/570,855**

(22) Filed: **Jul. 12, 2016**

(51) **LOC (11) Cl.** ..... **03-01**

(52) **U.S. Cl.** ..... **D3/217**  
USPC ..... **D3/217**

(58) **Field of Classification Search**  
USPC ..... D3/201, 216, 217, 254, 272, 279, 294  
CPC ..... A45F 3/04; A45F 4/02; A45F 2003/045;  
A45F 2003/125; A45F 3/02; A45F  
2003/127; A45F 3/047; A45F 3/12; A45F  
2003/001

See application file for complete search history.

(56) **References Cited**

**U.S. PATENT DOCUMENTS**

D369,021 S *	4/1996	Kliot	.....	D3/217
D375,403 S *	11/1996	Melk	.....	D3/217
D426,951 S *	6/2000	Rohrbach	.....	D3/216
D485,678 S *	1/2004	Haro	.....	D3/216
7,165,705 B2 *	1/2007	Haro	.....	A45C 13/04 224/627
D642,791 S *	8/2011	Quehl	.....	D3/217
D775,817 S *	1/2017	Ridley	.....	D3/217

D781,049 S *	3/2017	Kemp	.....	D3/216
D784,005 S *	4/2017	Zheng	.....	D3/216
D793,718 S *	8/2017	Dumas	.....	D3/217

\* cited by examiner

*Primary Examiner* — George D. Kirschbaum  
*Assistant Examiner* — Jennifer L. Watkins  
(74) *Attorney, Agent, or Firm* — Grumbles Law PLLC;  
Brittany Nanzig

(57) **CLAIM**

The ornamental design for a backpack, as shown and described.

**DESCRIPTION**

FIG. 1 is a front elevational view of a backpack in a closed configuration showing our new design, wherein the bag flap is secured on a second bar.

FIG. 2 is a back elevational view of the backpack in a closed configuration.

FIG. 3 is a right elevational view of the backpack in a closed configuration, wherein the bag flap is secured on a third bar.

FIG. 4 is a left elevational view of the backpack in a closed configuration, wherein the bag flap is secured on a third bar.

FIG. 5 is a top elevational view of the backpack in a closed configuration.

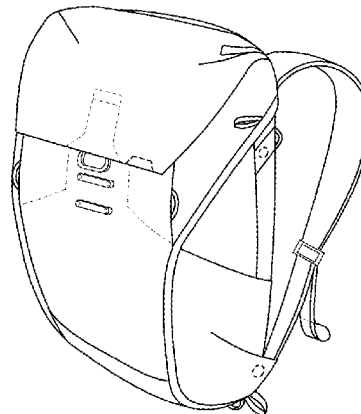
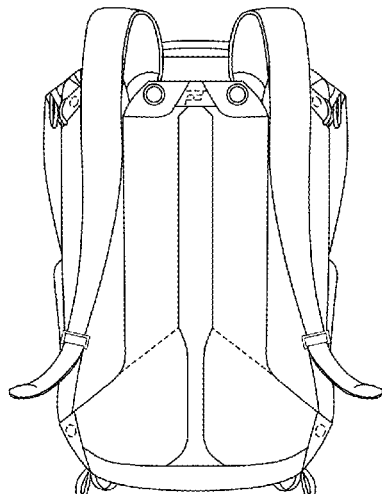
FIG. 6 is a perspective right side view of the backpack in a closed configuration, wherein the bag flap is secured on a third bar.

FIG. 7 is a perspective right side view of the backpack in an open configuration; and,

FIG. 8 is a perspective back view of the backpack in a closed configuration.

The lighter broken lines in the drawings depict stitching. The bolder broken lines in the drawings are for the purpose of illustrating portions of the backpack and form no part of the claimed design.

**1 Claim, 3 Drawing Sheets**



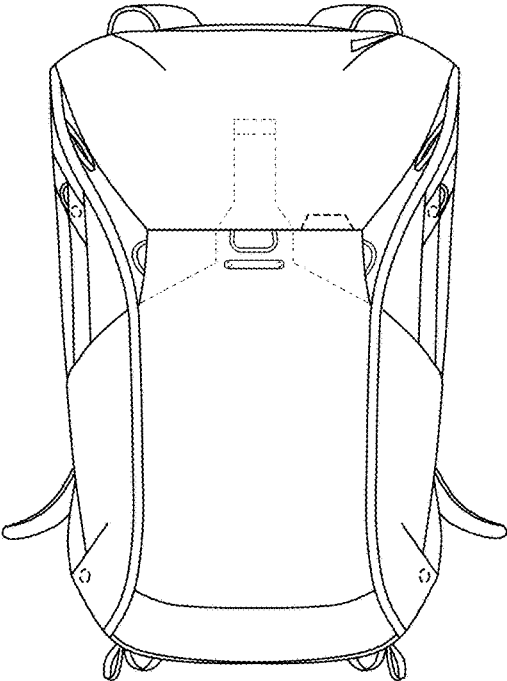


FIG. 1

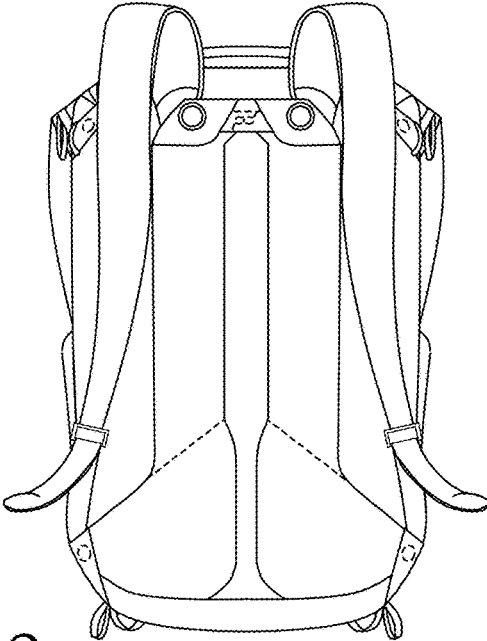


FIG. 2

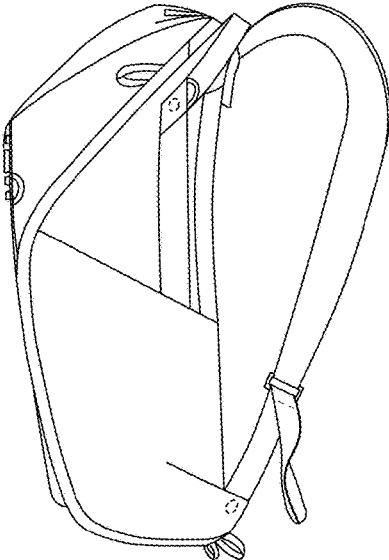


FIG. 3

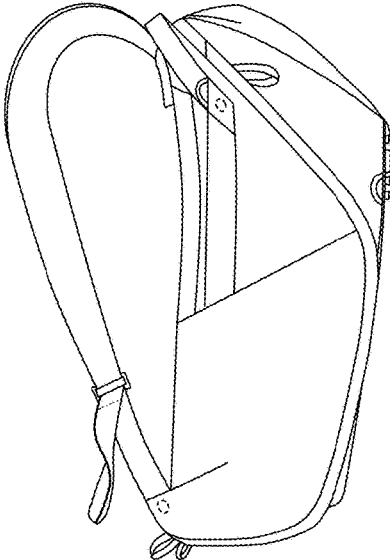


FIG. 4

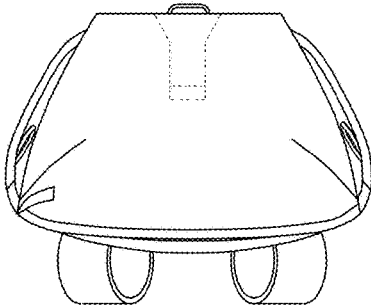


FIG. 5

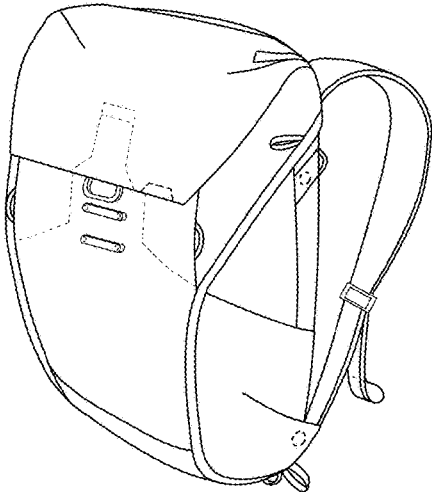


FIG. 6

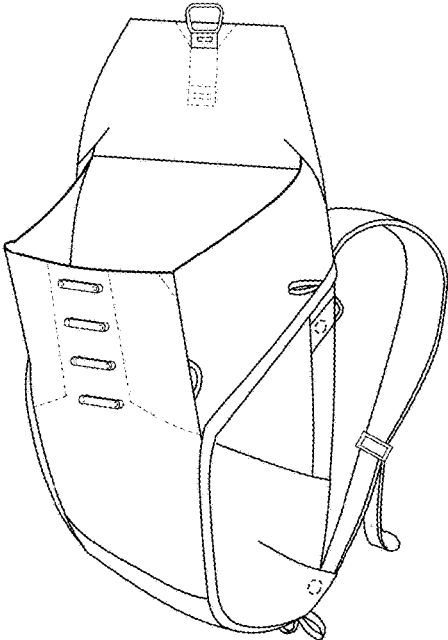


FIG. 7

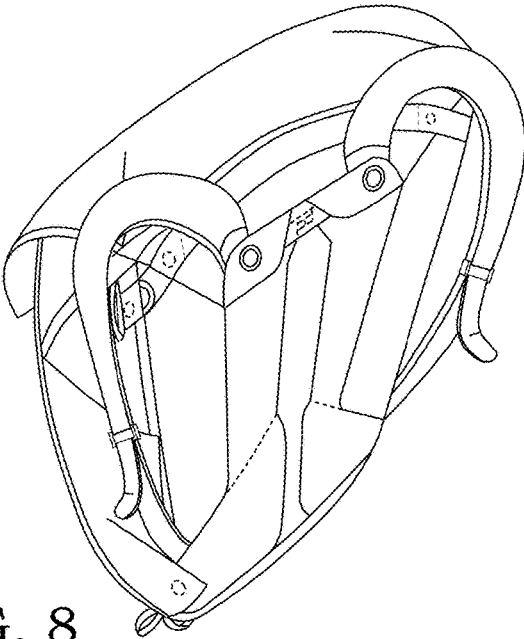


FIG. 8